

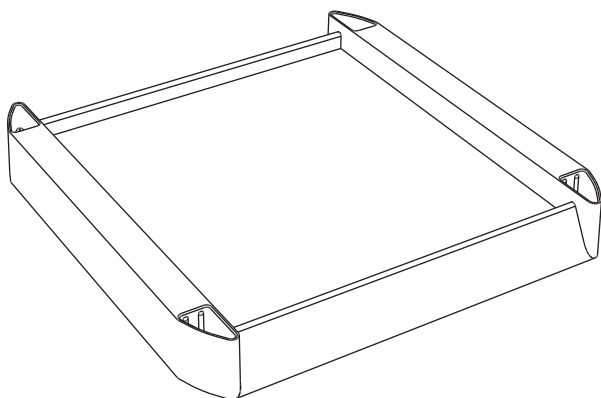
NYSCO SAS 32

12 1/2" X 12 1/2" Shelf Merchandiser

(318 mm x 318 mm)

A PROVEN DISPLAY SYSTEM

- Sets up in minutes - no tools needed
- Requires only 1.5 square feet (.14 sq. meter) of floor space
- Footprint: 14 1/2" d x 15" w (368mm x 381mm)
- Variable clearances to accommodate any product height
- Printed shelves and header cards available
- Any color shelves and uprights



12 1/2" x 12 1/2" (318mm x 318mm)
STANDARD UNIT - 5 SHELVES

Usable shelf dimensions: 12 1/2" x 12 1/2" (318mm x 318mm)

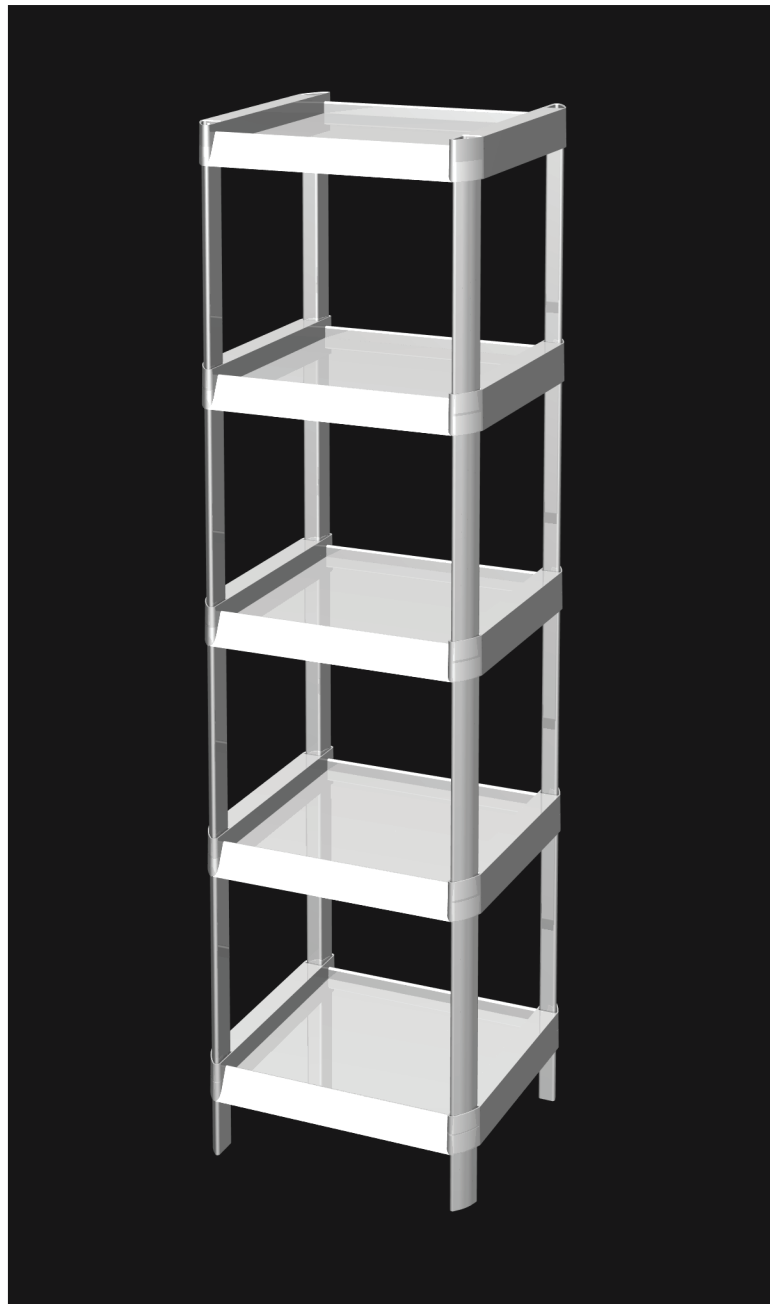
Silk screen printing area: Front: 10 1/2" x 1 11/16" (267mm x 43mm)
Side: 10 1/2" x 1 11/16" (267mm x 43mm)

Injection molded hi-impact polystyrene

Standard five shelf units ship K.D. in cartons
approximately 16" x 15 1/2" x 15 1/2" (LxWxH)
(406mm x 394mm x 394mm)

Weight per carton approximately 14 lbs. (6.25kg.)

F.O.B. Bronx, NY



CALL FOR INSTANT QUOTATIONS



NYSCO PRODUCTS LLC, 2350 Lafayette Avenue, Bronx, NY 10473
(718) 792-9000 FAX (718) 792-7732

e-mail address: info@nysco.com
Find this page on our web site: www.nysco.com