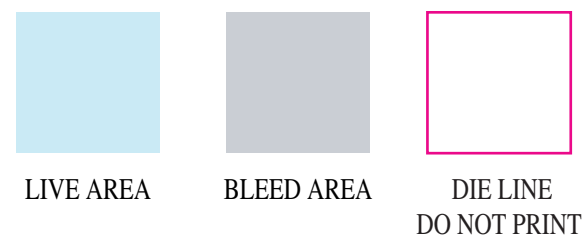


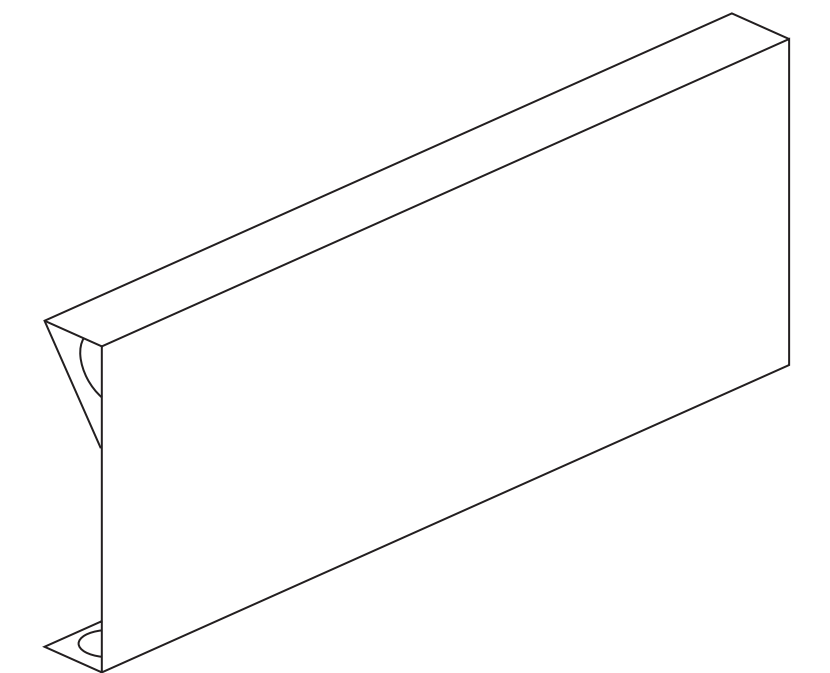
**SAS 31 FOLD OVER HEADER - REG**  
**LIVE AREA - 24 11/16" W X 9" H**



*NYSCO Products, LLC*  
*2350 Lafayette Avenue*  
*Bronx, New York 10473*  
*Tel. 718-792-9000*  
*Fax: 718-792-7732*  
*WWW.NYSCO.COM*



**HORIZONTAL BLEED ADD 1/4" LEFT & RIGHT**  
**VERTICAL BLEED ADD 3" TOP & BOTTOM**  
**OVER ALL SHEET SIZE - 24 11/16" W X 19 3/4" H**  
**SUBSTRATE - .024 SBS**  
**SCALE - FULL SIZE**



**FRONT VIEW OF FOLDED HEADER**