

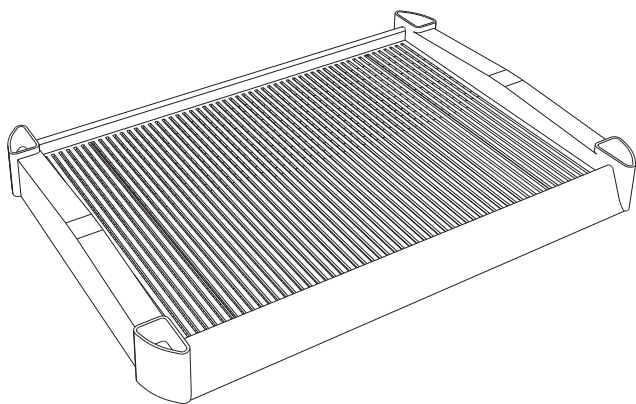
NYSCO SAS 28W

12 1/4" X 18 3/8" Shelf Merchandiser

(311 mm x 467 mm)

A PROVEN DISPLAY SYSTEM

- Sets up in minutes - no tools needed
- Requires only 2.1 square feet (.19 sq. meter) of floor space
- Footprint: 14 1/2" d x 21" w (368mm x 533mm)
- Variable clearances to accommodate any product height
- Printed shelves and header cards available
- Any color shelves and uprights



12 1/4" x 18 3/8" (311mm x 467mm)
STANDARD UNIT - 5 SHELVES

Usable shelf dimensions: 12 1/4" x 18 3/8" (311mm x 467mm)

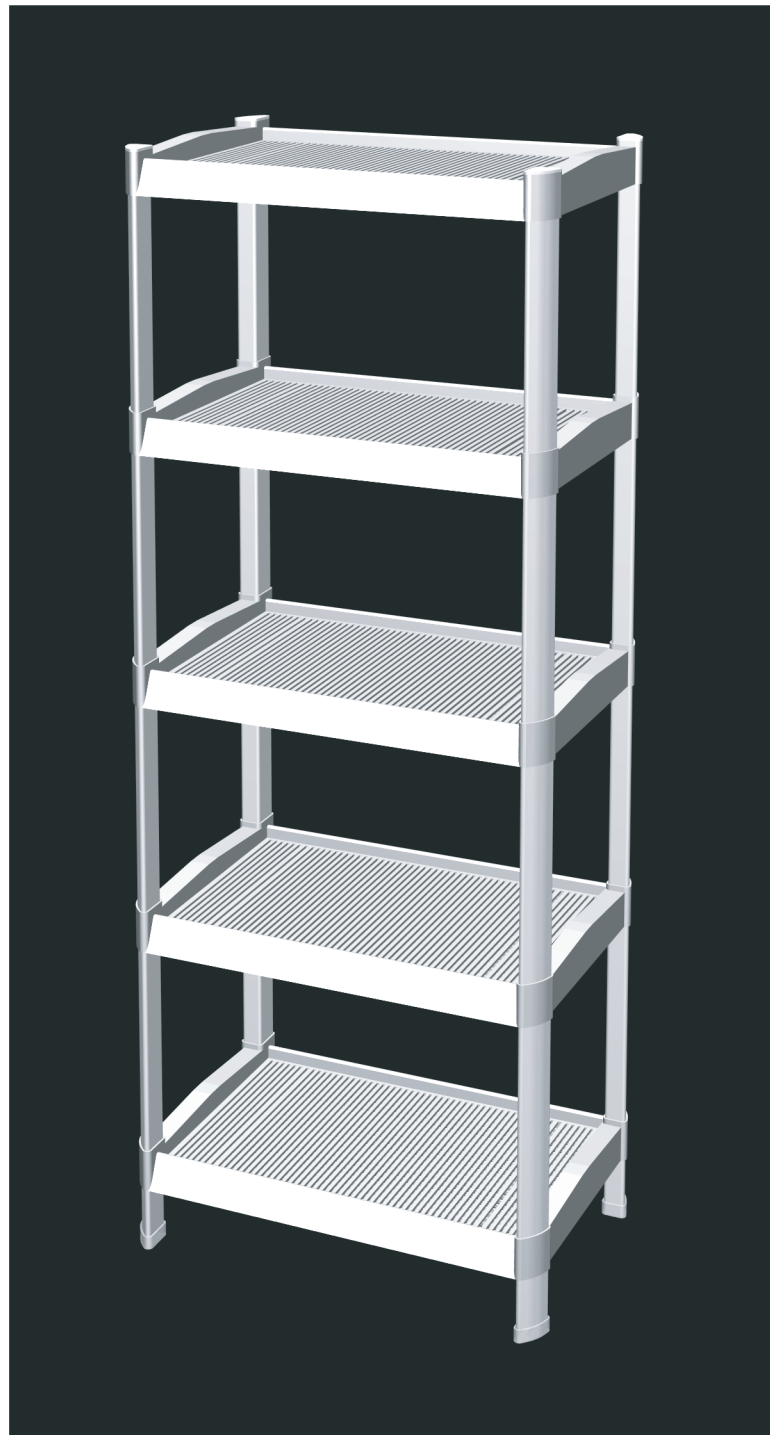
Silk screen printing area: Front: 13" x 1 1/2" (330mm x 38mm)
Side (Approx.): 8 5/8" x 1 29/64" (219mm x 37mm)

Injection molded hi-impact polystyrene

Standard five shelf units ship K.D. in cartons
approximately 21 1/2" x 15 1/2" x 15 1/2" (LxWxH)
(546mm x 394mm x 394mm)

Weight per carton approximately 15 lbs. (7 kg.)

F.O.B. Bronx, NY



CALL FOR INSTANT QUOTATIONS



NYSCO PRODUCTS LLC, 2350 Lafayette Avenue, Bronx, NY 10473
(718) 792-9000 FAX (718) 792-7732

e-mail address: info@nysco.com
Find this page on our web site: www.nysco.com