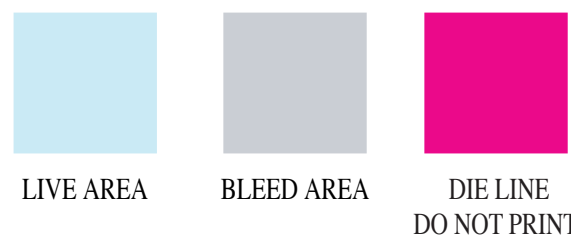


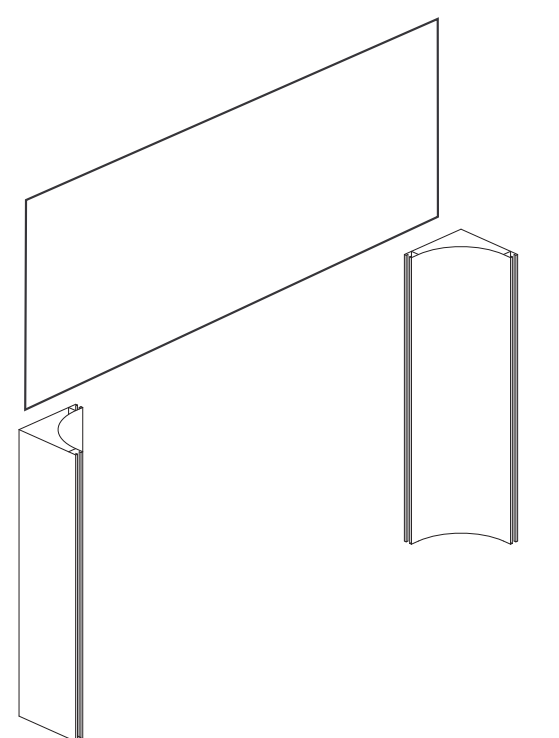
SAS 20 TAPE TO BACK OF UPRIGHTS HEADER - REG
LIVE AREA - 19 5/8" W X 22" H

NYSCO

NYSCO Products, LLC
2350 Lafayette Avenue
Bronx, New York 10473
Tel. 718-792-9000
Fax: 718-792-7732
WWW.NYSCO.COM



HORIZONTAL BLEED ADD 2 1/4" LEFT & RIGHT
VERTICAL BLEED ADD 1/4" TOP & BOTTOM
OVER ALL SHEET SIZE - 23 1/2" W X 22" H
SUBSTRATE - .048 SBS
SCALE - FULL SIZE



**FRONT VIEW OF HEADER
& UPRIGHTS**