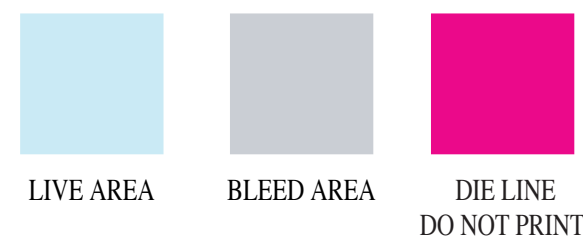


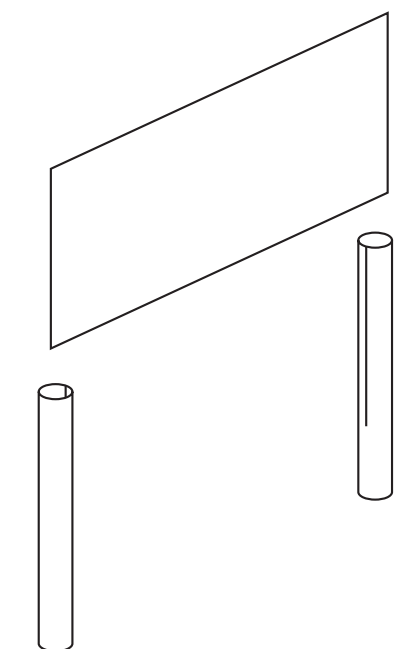
**SAS 8 SLOTTED HEADER - TALL**  
**LIVE AREA - 22 7/16" W X 12" H**



*NYSCO Products, LLC*  
2350 Lafayette Avenue  
Bronx, New York 10473  
Tel. 718-792-9000  
Fax: 718-792-7732  
WWW.NYSCO.COM



**HORIZONTAL BLEED ADD 1 3/4" LEFT & RIGHT**  
**VERTICAL BLEED ADD 1/4" TOP & BOTTOM**  
**OVER ALL SHEET SIZE - 25 7/16" W X 12" H**  
**SUBSTRATE - .048 SBS**  
**SCALE - FULL SIZE**



**FRONT VIEW OF SLOTTED HEADER**