



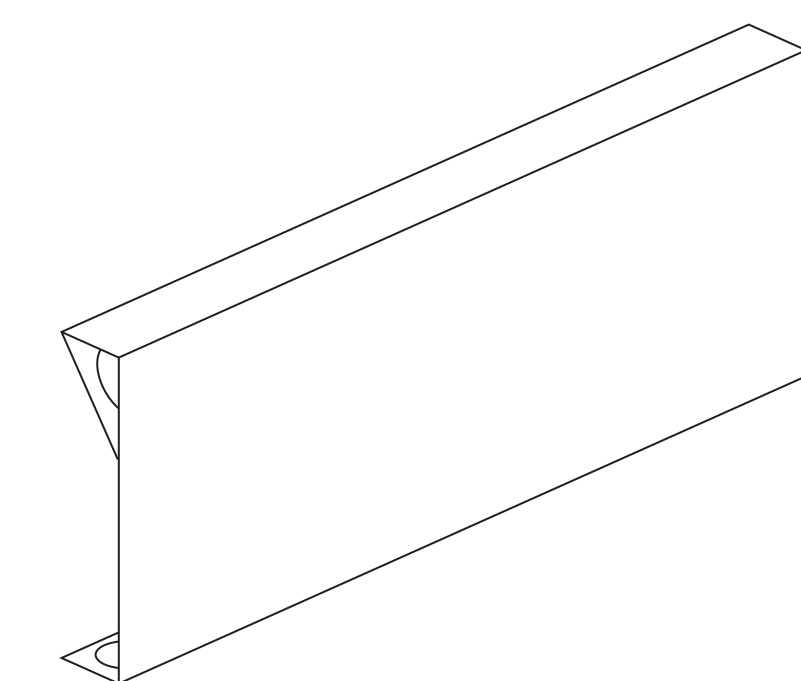
SAS 7 FOLD OVER HEADER - REG
LIVE AREA - 36 1/2" W X 14 1/2" H



NYSCO Products, LLC
2350 Lafayette Avenue
Bronx, New York 10473
Tel. 718-792-9000
Fax: 718-792-7732
WWW.NYSCO.COM



HORIZONTAL BLEED ADD 1/4" LEFT & RIGHT
VERTICAL BLEED ADD 3" TOP & BOTTOM
OVER ALL SHEET SIZE - 36 1/2" W X 25 3/16" H
SUBSTRATE - .024 SBS
SCALE - FULL SIZE



FRONT VIEW OF FOLDED HEADER