

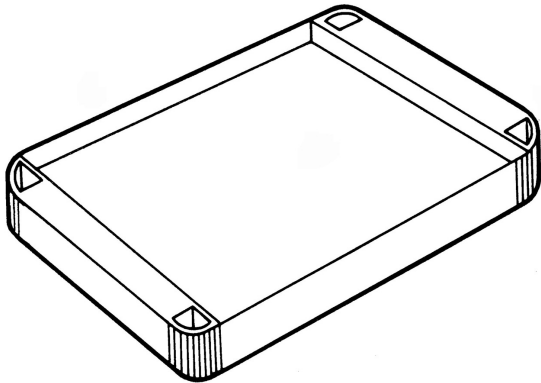
NYSCO SAS 5

12 1/4" X 18 1/8" Shelf Merchandiser

(310 mm x 460 mm)

A PROVEN DISPLAY SYSTEM

- Sets up in minutes- no tools needed
- Quarter round uprights provide great strength and saves space
- Requires only 1.8 square feet (.18 sq. meter) of floor space
- Footprint: 12 1/2" d x 21" w (318mm x 532mm)
- Variable clearances to accommodate any product height
- Printed shelves and header cards available
- Any color shelves and uprights



12 1/4" X 18 1/8" (310 mm X 460 mm)
STANDARD UNIT - 5 SHELVES

Usable shelf dimensions: 12 1/4" x 18 1/8" (310 mm x 460 mm)

Silk screen printing area: Front 18" x 1 7/8" (457mm x 48mm)
Side 9 1/2" x 1 7/8" (241mm x 48mm)

Injection molded hi-impact polystyrene

Standard five shelf units ship K.D. in cartons
approximately 21 1/2" x 14 1/4" x 15 1/4" (LxWxH)
(546mm x 362mm x 387mm)

Weight per carton approximately 15 lbs. (7 kg.)

F.O.B. Bronx, NY

CALL FOR INSTANT QUOTATIONS

