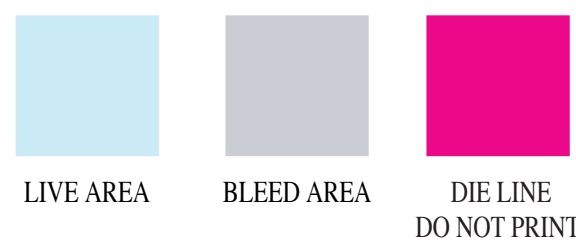


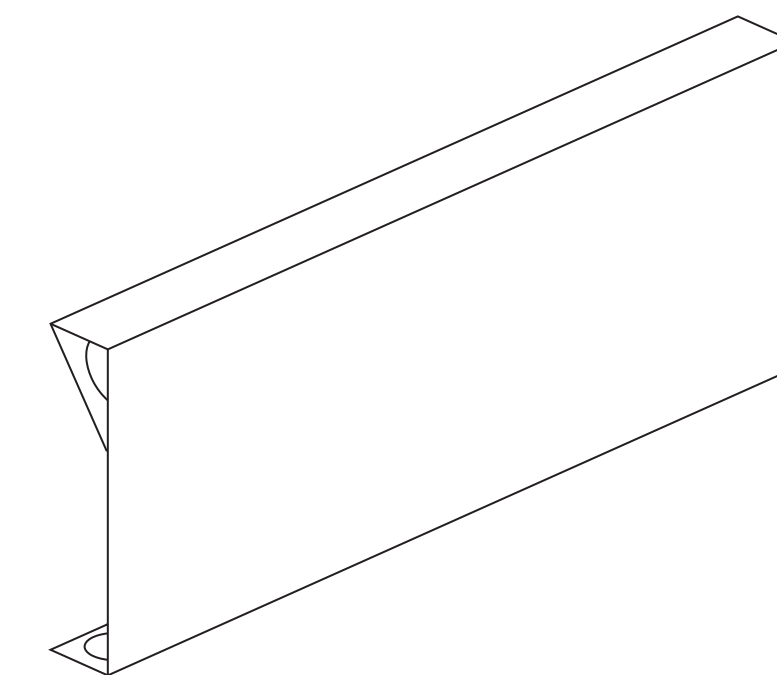
**SAS 4 FOLD OVER HEADER - REG.
LIVE AREA - 28 11/16" W X 9" H**

NYSCO

*NYSCO Products, LLC
2350 Lafayette Avenue
Bronx, New York 10473
Tel. 718-792-9000
Fax: 718-792-7732
WWW.NYSCO.COM*



**HORIZONTAL BLEED ADD 1/4" LEFT & RIGHT
VERTICAL BLEED ADD 3" TOP & BOTTOM
OVER ALL SHEET SIZE - 28 11/16" W X 19 3/4" H
SUBSTRATE - .024 SBS
SCALE - FULL SIZE**



FRONT VIEW OF FOLDED HEADER