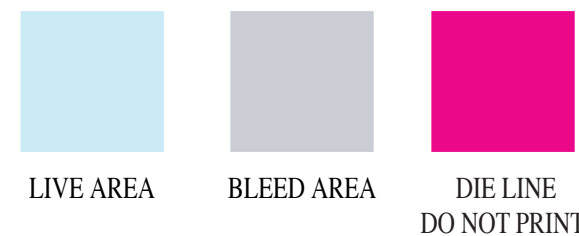


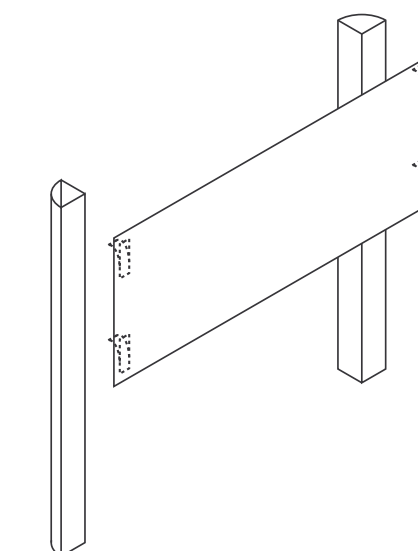
SAS 3 TAPE ON BACK HEADER - REG
LIVE AREA - 17 15/16" W X 9" H



NYSCO Products, LLC
2350 Lafayette Avenue
Bronx, New York 10473
Tel. 718-792-9000
Fax: 718-792-7732
WWW.NYSCO.COM



HORIZONTAL BLEED ADD 1/4" LEFT & RIGHT
VERTICAL BLEED ADD 1/4" TOP & BOTTOM
OVER ALL SHEET SIZE - 17 15/16" W X 9" H
SUBSTRATE - .048 SBS
SCALE - FULL SIZE



FRONT VIEW OF TAPE ON BACK HEADER