

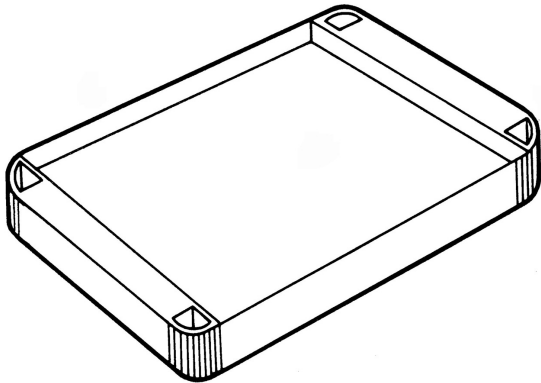
# NYSCO SAS 3

## 10 1/8" X 15 1/2" Shelf Merchandiser

(257 mm x 394 mm)

### A PROVEN DISPLAY SYSTEM

- Sets up in minutes- no tools needed
- Quarter round uprights provide great strength and saves space
- Requires only 1.3 square feet (.12 sq. meter) of floor space
- Footprint: 10 1/2" d x 18 1/4" w (267mm x 464mm)
- Variable clearances to accommodate any product height
- Printed shelves and header cards available
- Any color shelves and uprights



10 1/8" X 15 1/2" (257 mm X 394 mm)  
STANDARD UNIT - 5 SHELVES

Usable shelf dimensions: 10 1/8" x 15 1/2" (257mm x 394mm)

Silk screen printing area: Front 15 1/2" x 1 7/8" (394mm x 48mm)  
Side 7 1/2" x 1 7/8" (191mm x 48mm)

Injection molded hi-impact polystyrene

Standard five shelf units ship K.D. in cartons  
approximately 19 1/4" x 11 1/2" x 15 1/4" (LxWxH)  
(489mm x 292mm x 387mm)

Weight per carton approximately 13 lbs. (5.9 kg.)

F.O.B. Bronx, NY

CALL FOR INSTANT QUOTATIONS

