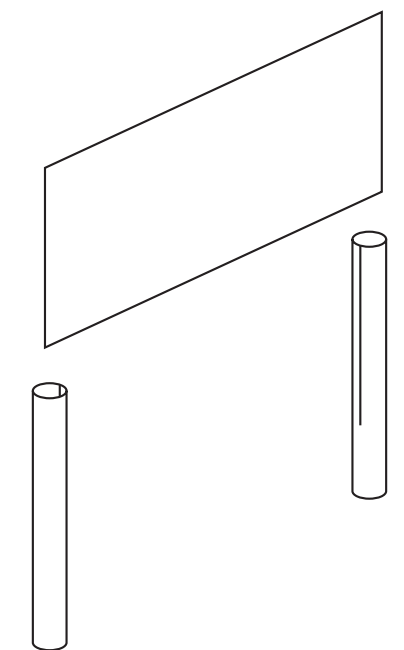


*NYSCO Products, LLC  
2350 Lafayette Avenue  
Bronx, New York 10473  
Tel. 718-792-9000  
Fax: 718-792-7732  
WWW.NYSCO.COM*



**HORIZONTAL BLEED ADD 1 3/4" LEFT & RIGHT  
VERTICAL BLEED ADD 1/4" TOP & BOTTOM  
OVER ALL SHEET SIZE - 17 3/4" W X 9" H  
SUBSTRATE - .048 SBS  
SCALE - FULL SIZE**



**FRONT VIEW OF SLOTTED HEADER**