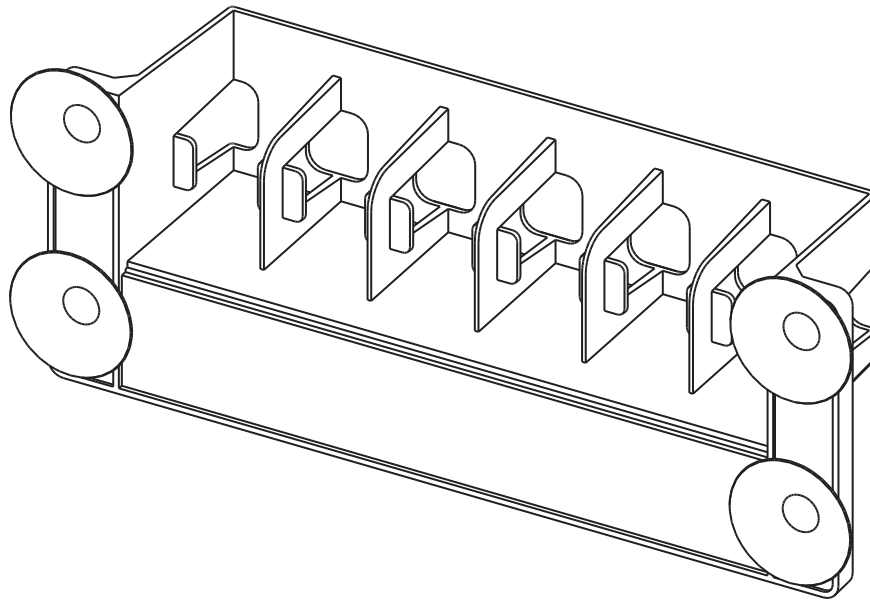


NYSKO BV-9

Energy Shot Cooler Door Shelf

Increase the visibility of self serve cold product

- Easy to install
- Durable clear plastic construction
- Fits inside most refrigerated cooler doors
- Printed labels available
- 1.63" (41mm) diameter of products



13 3/4" W X 3 9/16" D X 5 5/16" H
(349mm W X 91mm D X 135mm H)

Label Size: 10 1/4" W X 1 3/4" H (260mm W X 45mm H)

Injection molded clear plastic

Packs 10 per carton

Approximately carton size - 21 3/4" W X 6 1/4" D X 14" H (552mm W X 159mm D X 355mm H)

Weight per carton approximately 7 lbs (3.2 k.g.)

F.O.B. Bronx, NY

CALL FOR INSTANT QUOTATIONS

