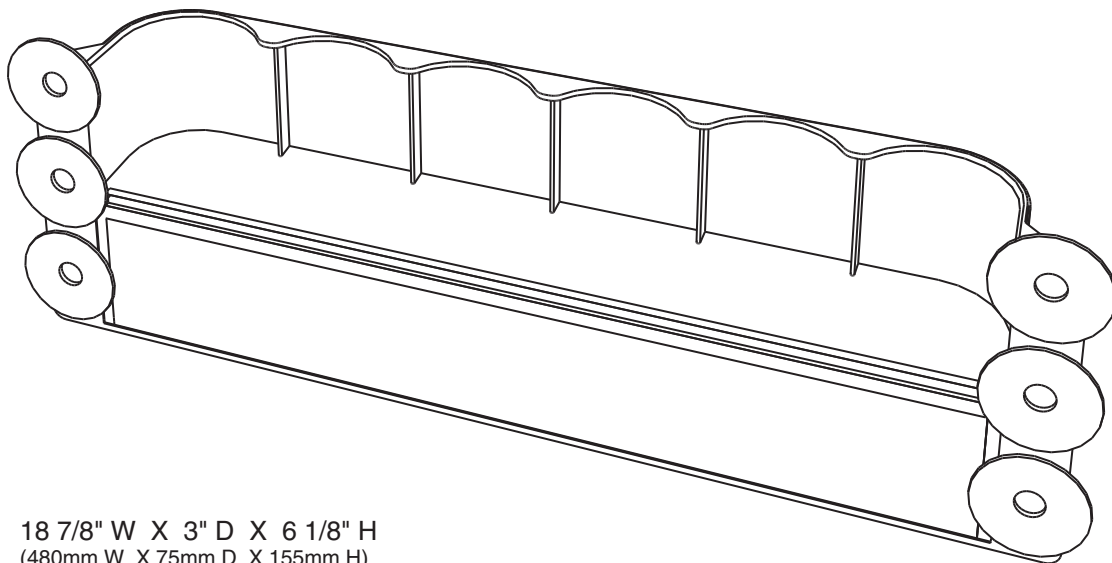


NYSKO BV-5

Cooler Door Shelf

Increase the visibility of self serve cold product

- Easy to install
- Durable clear plastic construction
- Fits inside most refrigerated cooler doors
- Printed labels available
- Holds 6 of the following cans or bottles:
 - 12 oz. can(Regular Size)
 - 16 oz. can
 - 500 ml plastic bottle
- 2 9/16" (65mm) Maximum diameter of products



18 7/8" W X 3" D X 6 1/8" H
(480mm W X 75mm D X 155mm H)

Label Size: 15 5/8" W X 2 1/2" H (397mm W X 64mm H)

Injection molded clear plastic

Packs 10 per carton

Approximately carton size - 18" W X 7" D X 20" H (460mm W X 180mm D X 500mm H)
Weight per carton approximately 10 lbs (4.54k.g.)

F.O.B. Bronx, NY

CALL FOR INSTANT QUOTATIONS

