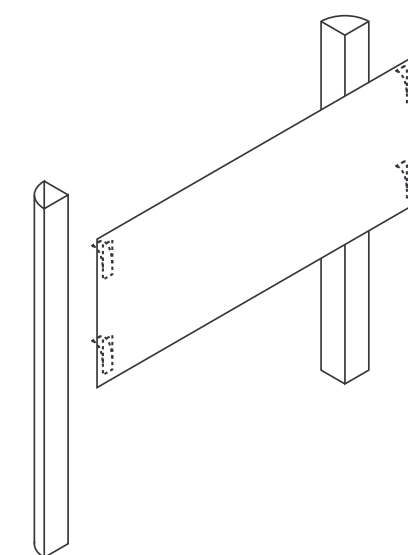


**SAS 3 TAPE ON BACK HEADER - TALL**  
**LIVE AREA - 17.93" W X 11.25" H**



**HORIZONTAL BLEED ADD 1/4" LEFT & RIGHT**  
**VERTICAL BLEED ADD 1/4" TOP & BOTTOM**  
**OVER ALL SHEET SIZE - 17.93" W X 11.25" H**  
**SUBSTRATE - .048 SBS**  
**SCALE - FULL SIZE**



**FRONT VIEW OF TAPE ON BACK HEADER**

**NYSKO**  
NYSKO PRODUCTS LLC

**NYSKO Products, LLC**  
211 Saw Mill River Road,  
Hawthorne, NY 10532  
718-792-9000  
[www.nysco.com](http://www.nysco.com)