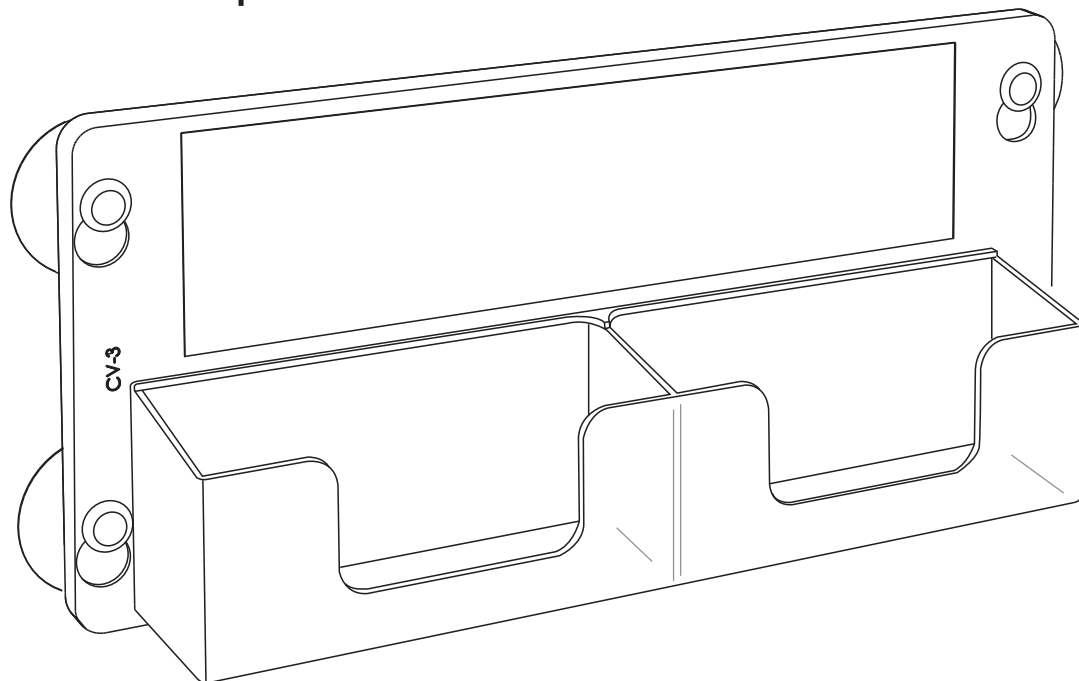


NYSKO CV-3

Cooler Door Shelf



Increase the visibility of
self serve product



- Easy to install
- Durable clear plastic construction
- Installs to refrigerator cooler doors
- Merchandise products warm or cold:
inside or outside cooler door
- Printed labels available
- Typical product load examples:
Protein bars
Snack bars
Candy bars
Small bottles or lotions

Overall assembled dimensions
14 1/2" W X 21 1/2" D X 6" H
(381mm W X 77mm D X 153mm H)

Label size: 10 5/8" W X 2 5/8" H
(280mm W X 77mm H)

Injection molded clear plastic

Packs 10 per carton
Approximate carton size - 14" W X 14" D X 6 1/2" H
(355mm W X 355mm D X 165mm H)

Weight per carton approximately 6 lbs (2.75 k.g.)

Ships from Hawthorne, NY

CALL FOR QUOTES